

Project Name: \_\_\_\_\_  
 Location: \_\_\_\_\_  
 Engineer: \_\_\_\_\_  
 Submitted to: \_\_\_\_\_  
 Submitted by: \_\_\_\_\_  
 Reference: \_\_\_\_\_

Approval: \_\_\_\_\_  
 Date: \_\_\_\_\_  
 Construction: \_\_\_\_\_  
 Unit #: \_\_\_\_\_  
 Drawing #: \_\_\_\_\_

## Performance

Indoor Unit Model No:	Ducted
Outdoor Unit Model No:	RXYMQ48PVJU
Cooling Capacity (Btu/hr):	47500
Sensible Capacity (Btu/hr):	0
Cooling Input Power (kW):	
Cooling EER (Btu/hr / kW):	9.0
SEER:	13.2
Heating Capacity (Btu/hr):	52500
Heating Input Power (kW):	
Heating COP (Btu/hr / Btu/hr):	2.7
HSPF:	8.8

Indoor Unit Type:	
Condensing Unit Type:	VRV-III-S Heat Pump
Cooling Nominal Conditions	Indoor: 80°F DB/67°F WB
	Outdoor: 95°F DB/75°F WB
	Water Cooled: 85
Heating Nominal Conditions	Indoor: 47°F DB/43°F WB
	Outdoor: 47°F DB/43°F WB
	Water Cooled: 70
Nominal Piping Length	25
Nominal Height Separation	0
Nominal Water Flow Rate	

## Indoor Unit Details

Power Supply (V/Hz/Ph):	N/A
Power Supply Connections:	
Min. Circuit Amps MCA (A):	
Max. Fusible Amps MFA (A):	
Dimensions (HxWxD):	N/A
Panel (HxWxD):	N/A
Net Weight (lbs):	
Weight with Panel (lbs):	

Airflow Rate (CFM wet coil)	N/A
Moisture Removal (pt/h):	
Gas Pipe Connection (inch):	
Liquid Pipe Connection (inch):	
Condensate Connection (inch):	
Sound Pressure Level (dBA):	
Sound Power Level (dBA):	
Nominal External Static Pressure (inH <sub>2</sub> O)	
Max Ext Static Pressure (inH <sub>2</sub> O)	

## Condensing Unit Details

Power Supply (V/Hz/Ph):	208-230/60/1ph
Power Supply Connections:	L1, L2, Ground
Min. Circuit Amps MCA (A):	27
Max. Fusible Amps MFA (A):	30
Max. Starting Current MSC(A):	-
Rated Load Amps RLA (A):	23.3
Total Overcurrent Amps (A):	27
Dimensions (HxWxD):	52-15/16x35-7/16x12-5/8
Net Weight (lbs):	283
Compressor Type:	Inverter
Capacity Control Range (%):	29 - 100
Capacity Index Limit:	24 - 62.4 (130%)

Airflow Rate (CFM):	3740
Gas Pipe Connection (inch):	5/8
Liquid Pipe Connection (inch):	3/8
H/L Pressure Connection (inch):	
H/L Equalizing Connection (inch):	
Water Inlet Connection (inch FPT):	
Water Outlet Connection (inch FPT):	
Condensate Drain Outlet (inch FPS):	
Sound Pressure Level (dBA):	58
Sound Power Level (dBA):	69.3c / 68.5h
Unit Heat Rejection (kW):	
Max. No. of Indoor Units:	8

## System Details

Refrigerant Type:	R-410A
Holding Refrigerant Charge (lbs):	8.8
Additional Charge (oz/ft):	install data
Pre-charge Piping (Length ft):	-
Max. Pipe Length (Total ft):	492 ft
Max. Pipe Length (Vertical ft):	164 ft / 130 ft

Cooling Operation Range (°F):	23 - 115
Cooling Range w/Baffle (°F):	
Heating Operation Range (°F):	0 - 77 / -4 - 60
Heating Range w/Baffle (°F):	
Cooling Inlet Water Temp (°F):	
Heating Inlet Water Temp (°F):	
Water Flow Range (GPM):	

# Submittal Data Sheet

Project Name: \_\_\_\_\_  
Location: \_\_\_\_\_  
Engineer: \_\_\_\_\_  
Submitted to: \_\_\_\_\_  
Submitted by: \_\_\_\_\_  
Reference: \_\_\_\_\_

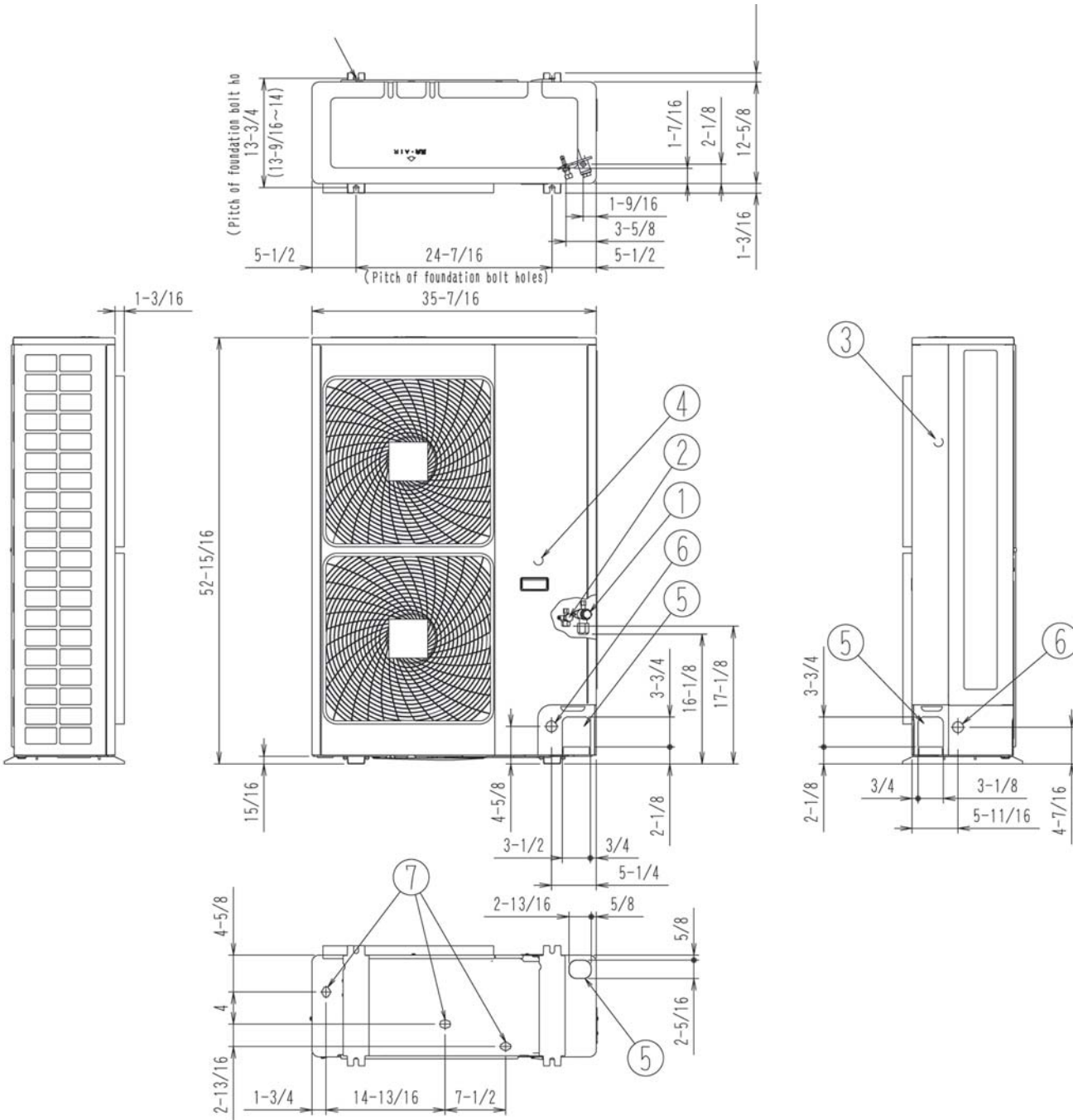
Approval: \_\_\_\_\_  
Date: \_\_\_\_\_  
Construction: \_\_\_\_\_  
Unit #: \_\_\_\_\_  
Drawing #: \_\_\_\_\_



Project Name: \_\_\_\_\_  
 Location: \_\_\_\_\_  
 Engineer: \_\_\_\_\_  
 Submitted to: \_\_\_\_\_  
 Submitted by: \_\_\_\_\_  
 Reference: \_\_\_\_\_

Approval: \_\_\_\_\_  
 Date: \_\_\_\_\_  
 Construction: \_\_\_\_\_  
 Unit #: \_\_\_\_\_  
 Drawing #: \_\_\_\_\_

**Dimensional Drawing - Condensing Unit**



Project Name: \_\_\_\_\_  
Location: \_\_\_\_\_  
Engineer: \_\_\_\_\_  
Submitted to: \_\_\_\_\_  
Submitted by: \_\_\_\_\_  
Reference: \_\_\_\_\_

Approval: \_\_\_\_\_  
Date: \_\_\_\_\_  
Construction: \_\_\_\_\_  
Unit #: \_\_\_\_\_  
Drawing #: \_\_\_\_\_

## Notes

Std U.S. Warranty: 6yrs Compressor, 1yrs Parts, 1yr Limited Labor